

## Focus

### Single lever basin mixer 100 without waste set

Surfaces: **Chrome** Article Number: **31517003**



## Description

### product features

- ComfortZone 100
- flow rate at 3 bar: 5 l/min
- suitable for continuous flow water heaters
- not included: waste set

## Technology



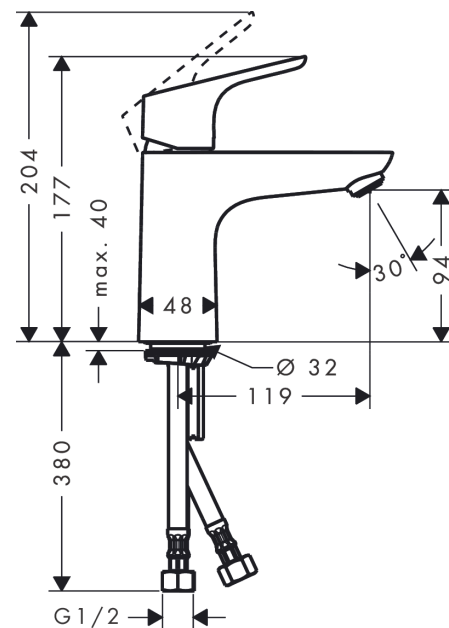
## Certificates



## Product image



## Scale drawing



## Flowchart

