

Talis Select E

Basin mixer 110 without waste set

Surfaces: **Chrome** Article Number: **71751003**



Description

product features

- ComfortZone 110
- projection 112 mm
- normal spray
- flow rate at 3 bar: 5 l/min
- suitable for continuous flow water heaters
- not included: waste set

Technology



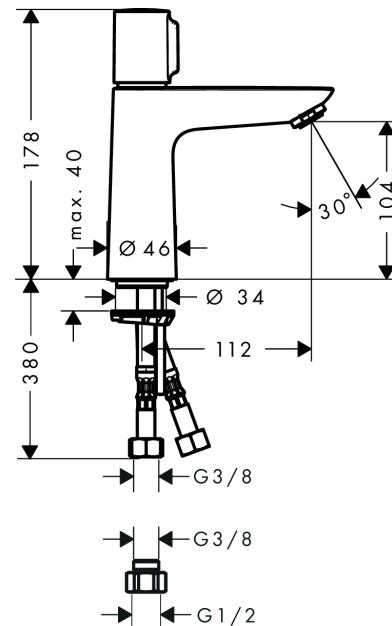
Certificates



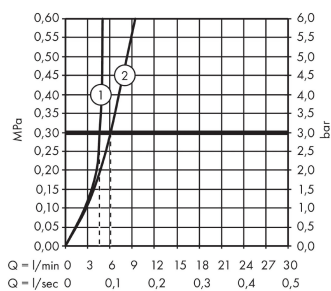
Product image



Scale drawing



Flowchart



- ① with flow limiter
- ② without flow limiter