

VENEZIA_{AMBULANT}

JohnsonSuisse
Bathroom Solutions

FLUSH TO WALL RIMLESS TOILET SUITE

CODE:
JTTV301.J2371.101

FEATURES

- RIMLESS BOWL THAT ENSURES EFFICIENT FLUSHING WITHOUT SPLASHING!
- BACK INLET CISTERN, CONVERTIBLE TO BOTTOM INLET.
- WATER INLET HEIGHT 840MM
- PAN HEIGHT AMBULANT 440MM, PROJECTION 645MM.
- CHROME EASY PUSH DUAL FLUSH BUTTON.
- DUROPLAST SOFT-CLOSE QUICK RELEASE SEAT
- 3/4.5L DUAL FLUSHING, 4 WELS RATED (REGISTRATION: L06869)
- CAN BE INSTALLED IN S OR P TRAP CONFIGURATION
- COMES WITH S TRAP PAN CONNECTOR WITH A SET OUT: 90-190MM

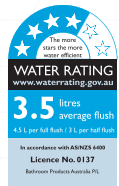
COMPONENTS

VENEZIA _{AMBULANT} FLUSH TO WALL RIMLESS TOILET PAN	JTTV301
VENEZIA FLUSH TO WALL BACK INLET CISTERN	J2371
VENEZIA QUICK-RELEASE SOFT-CLOSE SEAT	JSEV101

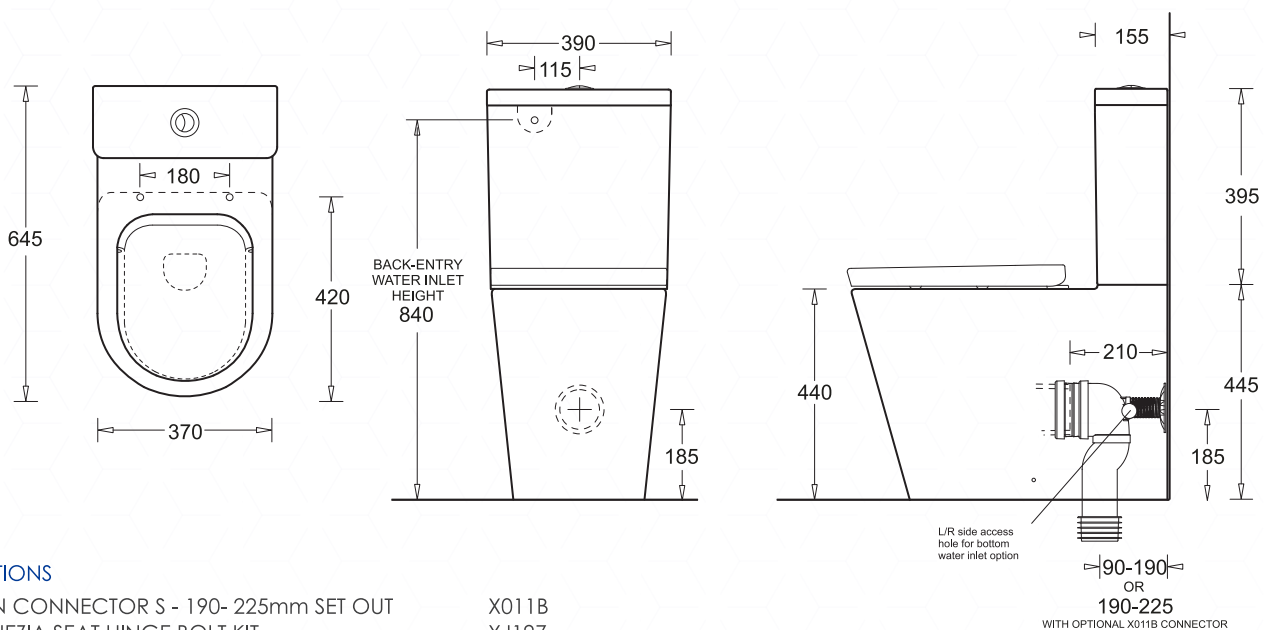
WARRANTY

VC 25 YEARS, VALVE 3 YEARS, SEAT 5 YEARS
PRODUCTS REPLACEMENT

- REFER TO T&C's AT johnsonsuisse.com.au



PRODUCT DIMENSIONS



OPTIONS

PAN CONNECTOR S - 190- 225mm SET OUT	X011B
VENEZIA SEAT HINGE BOLT KIT	XJ197

TECHNICAL DATA SHEET

SUPERSEDES ALL PREVIOUS ISSUES

All dimensions are in millimetres and are subject to normal manufacturing variation. As product development is ongoing BPA reserves the right to vary specifications without notice.
Bathroom Products Australia P/L ABN 87 079 297 617

JohnsonSuisse
Bathroom Solutions

2/97 Banksia St., Botany, NSW 2019
TEL: 1300 717 717 FAX: 1300 746 480
www.johnsonsuisse.com.au

V2 0221