

# Oros 1160



Collection: Fusion



## Arqstone sink — Engineered stone — Strong, durable, natural

Arqstone sinks, made in Europe from natural quartz, are extremely tough and resistant to high temperatures, scratching and stains. The high density stone surface is easy to clean and the smooth finish ensures a high level of hygiene.

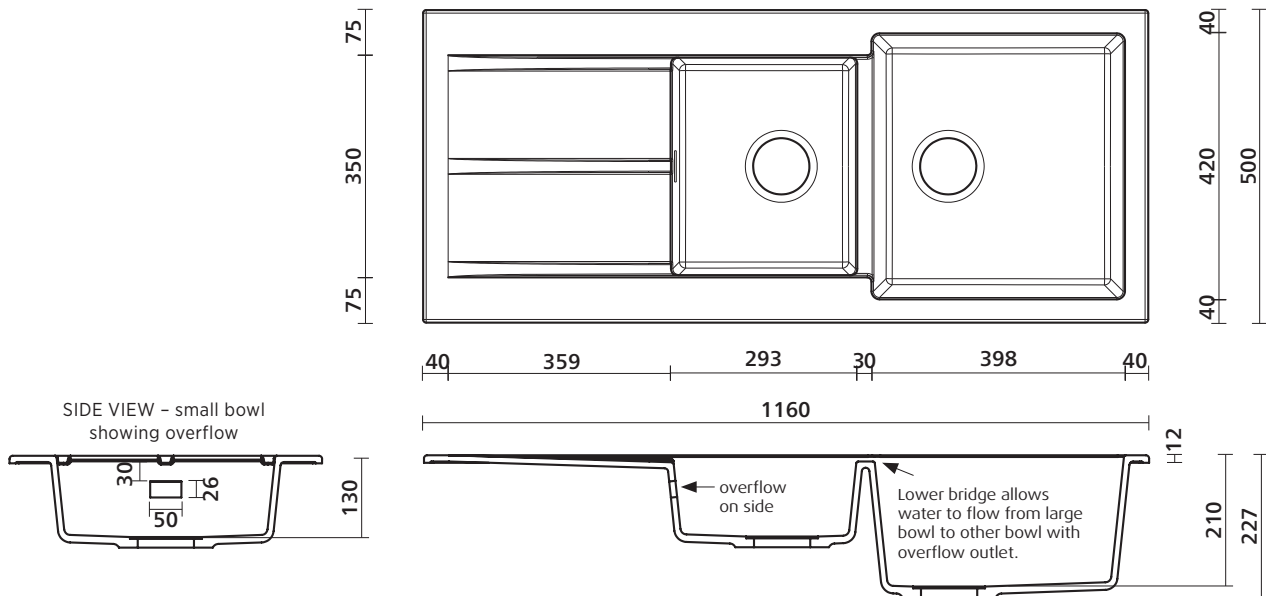
- Square lines, smooth finish, made from pure natural quartz aggregate
- Designed for abovement installation (No taphole version can be undermounted)
- Exceptionally strong and durable
- Deep, large capacity bowl, easy to clean corners, 10mm radii
- Stainless steel basket waste


### Order codes

WHITE	
191047	Oros 1160 – White, 1 taphole, right drainer
191050	Oros 1160 – White, 1 taphole, left drainer
191053	Oros 1160 – White, no taphole
BLACK	
191049	Oros 1160 – Black, 1 taphole, right drainer
191052	Oros 1160 – Black, 1 taphole, left drainer
191055	Oros 1160 – Black, no taphole

### Product details

SUMMARY	1.75 bowls with integrated overflow and drainer
COLOURS	Available in Arqstone white and black
TAPHOLES	0 or 1 taphole
OVERFLOW	Integrated overflow
WASTE	90 mm stainless steel basket waste
SIZE	Large bowl 398 x 420 mm, 210 mm deep Small bowl 293 x 350 mm, 130 mm deep Rim 40/75 mm, bridge between bowls 30 mm



 Sink has integrated overflow

# SEIMA

kitchen + laundry + bathroom ware

seima.com.au

### Please note

- All measurements are in millimetres.
- Stone sinks – Dimensions are subject to normal manufacturing variations of  $\pm 3$ mm.
- Always use the actual product to verify cutout.
- Use silicone sealant. Do not use epoxy type adhesives.
- Specifications may vary without notice as part of our continuous improvement practices.



Find out more about Arqstone